

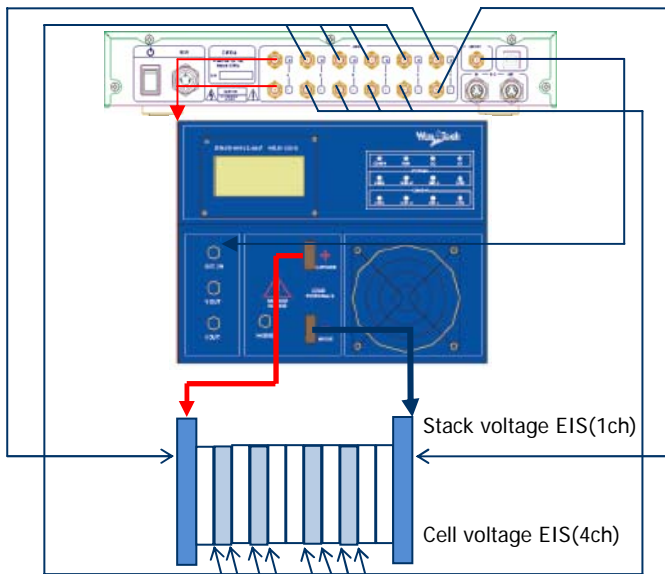
Z#106 with Dynaload RBL488 series load

Other model might be needed to set some parameters by manually.  
Please contact with your regional distributor about other 3<sup>rd</sup> parties products' availability with Z#.

35channels configuration (example)



For 35 channel eis measurement, 6 set of Z#106 is needed. Then you can measure eis of 34 cells or 33 cells with one total fuel cell stack(or battery pack).; One Z#106 will work as master and other 5 set of Z#106 works as slaves.



Z#106 with WonATech WEL series load



**Supporting external load/Potentiostat**

- TDI dynaload RBL488 series
- WonATech WLoad
- WonATech Potentiostats

Above models are fully PC controlled with Z#.